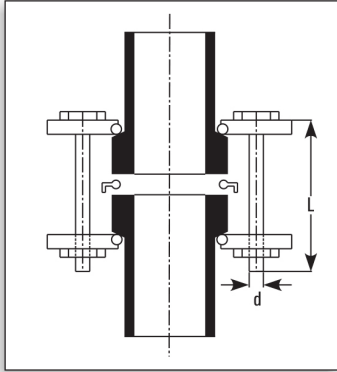


COUPLINGS

COMPLETE COUPLINGS

A complete coupling is a set of two backing flanges with insert and nut-bolts. Complete set of flanges require to make a joint & standard one are available in Cast Iron & Mild Steel. Also available in other MOC like Stainless Steel 304 & 316, Siliumin, Bakelite.



Cat.Ref.	DN	Flanges		inserts		Nuts-Bolts		
		Cat.Ref.	Qty	Cat.Ref.	Qty	d	L	Qty
CT0.5	12	CF0.5	2nos	CN0.5	2nos	1/4"	50	3nos
CT0.7	15	CF0.7	2nos	CN0.7	2nos	1/4"	50	3nos
CT1*	25	CF1	2nos	CN1	2nos	5/16"	65	3nos
CT1.5*	40	CF1.5	2nos	CN1.5	2nos	5/16"	65	3nos
CT2*	50	CF2	2nos	CN2	2nos	5/16"	75	3nos
CT3*	80	CF3	2nos	CN3	2nos	5/16"	75	6nos
CT4*	100	CF4	2nos	CN4	2nos	5/16"	100	6nos
CT6*	150	CF6	2nos	CN6	2nos	5/16"	100	6nos
CT8	200	CF8	2nos	CN8	2nos	3/8"	125	8nos
CT9*	225	CF9	2nos	CN9	2nos	3/8"	125	8nos
CT12*	300	CF12	2nos	CN12	2nos	3/8"	150	12nos
CF with inbuilt insert above size of 12								
CT16	400	CF16	2nos			3/8"	150	12nos
CT18*	450	CF18	2nos			1/2"	150	12nos
CT24	600	CF24	2nos			1/2"	150	12nos
CT28	700	CF28	2nos			1/2"	150	12nos
CT32	800	CF32	2nos			1/2"	150	24nos